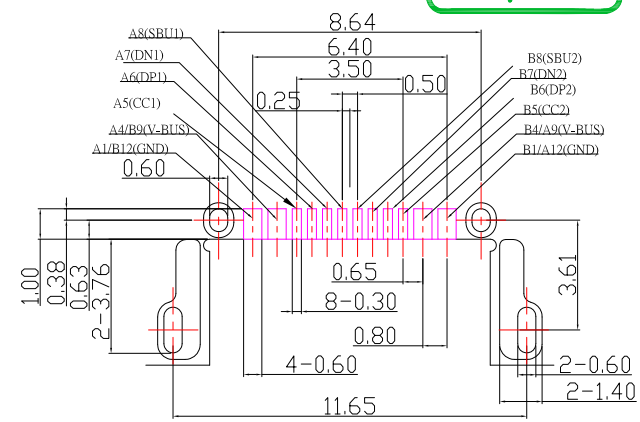
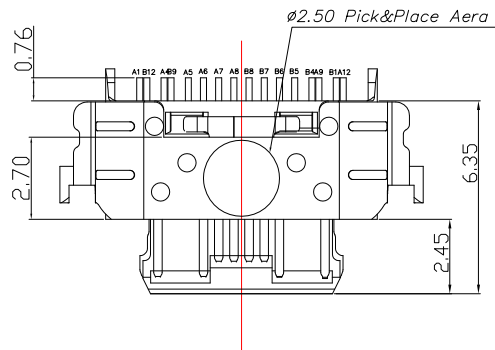




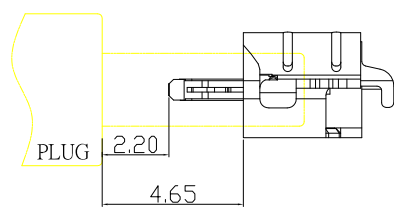
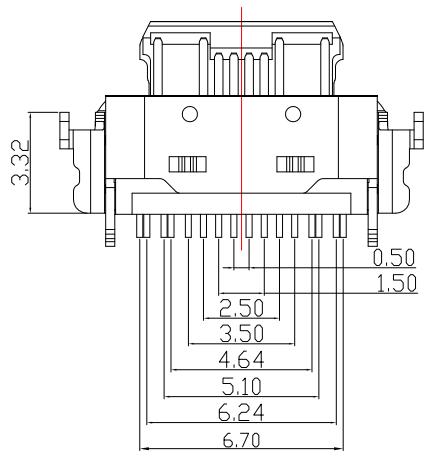
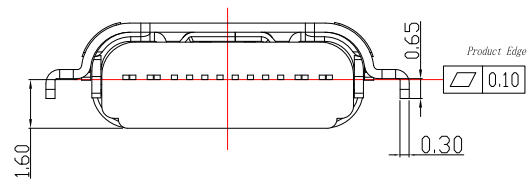
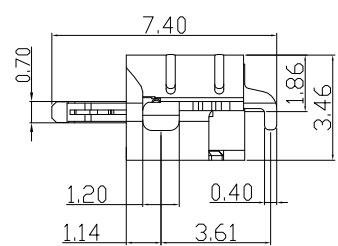
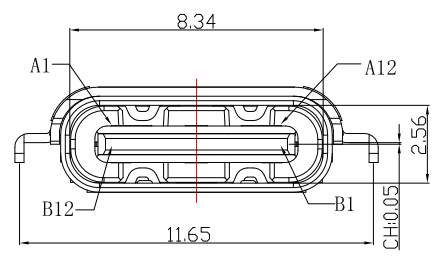
SBC-160M17H-20x-S331

鍍層厚度:

Blank : 1u"
2 : 15u"
3 : 30u"



RECOMMENDED P.C.B. LAYOUT



RECEPTAL AFTER MATING

SPECIFICATIONS

Electrical:

- 1.Rating: 20V, 5.0 A
- 2.Dielectric Withstand Voltage: 100V AC
- 3.Contact Resistance: 40 mΩ Max
- 4.Insulation Resistance: 100 MΩ Min

Mechanical:

- 1.Connector Mate and Unmate Force
 - 1.1 Mate force: 5~20 N
 - 1.2 Unmate force: 8~20 N

Material:

- 1.Housing: LCP
- 2.Contact: C18150
- 3.Shell: SUS

Finish:

- 1.Contact: Plated Gold in Mating Area ;
Gold Plated on Solder Balls ;
Nickel under plated overall
- 2.Shell: Nickel under Plated surface layer



TOLERANCE UNLESS OTHERWISE STATED:	Up to 5 ±0.2	3RD. ANGEL'S	UNITS	MM
	Above 5 ~ 15 ±0.3			
	Above 15 ~ 30 ±0.4			
	Above 30 ~ 50 ±0.5			
	Angle ±0.3°			

DRAWN BY:	DATE	MAT'L	TITLE	CONNECTOR
Jack Lu	03/16/23			
CHECKED BY:	DATE	FINISH	MODLE	USB TYPE C 2.0 沉板上H1.86mm
Jacky Chen	03/16/23			
APPROVED BY:	DATE	SCALE	DWG NO.	SBC-160M17H-20x-S331
Tony Kao	03/16/23	1 : 1	PART NO.	SBC-160M17H-20x-S331
		SHEET NO.	1 of 1	
				SIZE A4
				VER R1

1	新增CH 尺寸	Jack	031623
ITEM NO.	DESCRIPTION	DRAWN	DATE